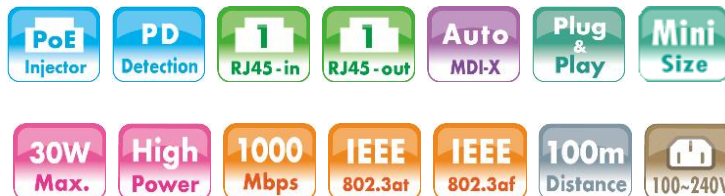




UPE5600-IHGE

1-Port 30W High Power PoE Injector

Delivering data and power over existing network cables



FEATURES

- IEEE802.3 at/af Power over Ethernet (PoE) Compliant
- Up to 30 watt high power PoE PSE Power Injector
- 2 x RJ-45 Power over Ethernet (PoE) In & Out ports
- Supports 10/100/1000Mbps RJ-45 Gigabit port
- Complies with IEEE802.3ab 1000Base-T standard
- Complies with IEEE802.3u 100Base-TX standard
- Complies with IEEE802.3 10Base-T standard
- Automatic detection and protection of nonstandard Ethernet terminals
- Delivers Power over Ethernet (PoE) to remote devices
- Supports NWay protocol for speed (10/100/1000Mbps) and duplex mode (Half/Full) detection
- Supports auto MDI-X function for switch-to-station & switch-to-switch connection with non-crossover cable
- Operates at max. packet filtering and forwarding rate
- Advanced Store-and-Forward transmission method
- Easy-to-read LEDs provide instant operating feedback
- Plug-&-Play without any software configuration
- Transparent to all kind of network protocols
- Convenient Internal switching power 100 ~ 240V AC

Package Contents

- One 1-port Gigabit High Power PoE Injector
- One Quick Installation Guide (QIG)
- One External Power Cord

OVERVIEW

UPE5600-IHGE is a Gigabit high power PoE PSE Injector for use in Power over Ethernet (PoE) systems. With Ethernet Input (data only) port and Output (data + power) port, UPE5600-IHGE may deliver up to 30 watts over existing LAN cable to power up PoE PD devices for power hungry applications such as outdoor Wireless Access Points, Security Cameras and IP Phones. The internal current limit, short-circuit and overload protection are implemented to provide up to 30W of PSE output power.

UPE5600-IHGE can also work in pair with UPE5600-GRT (PoE Repeater) to extend Ethernet connectivity another 100 meters with power over Ethernet capability for high power PD devices, such as outdoor IP Cameras. It forwards both Ethernet and PoE for another 100m using an innovative power-processing scheme and multiple units can be deployed in series for even longer distances, with no degradation in network speed or latency. UPE5600-GRT itself is powered by UPE5600-IHGE, so requires no separate power connection in the middle of the cable, making it extremely easy to connect and power IP cameras two to three times further than previously possible without going to fiber.

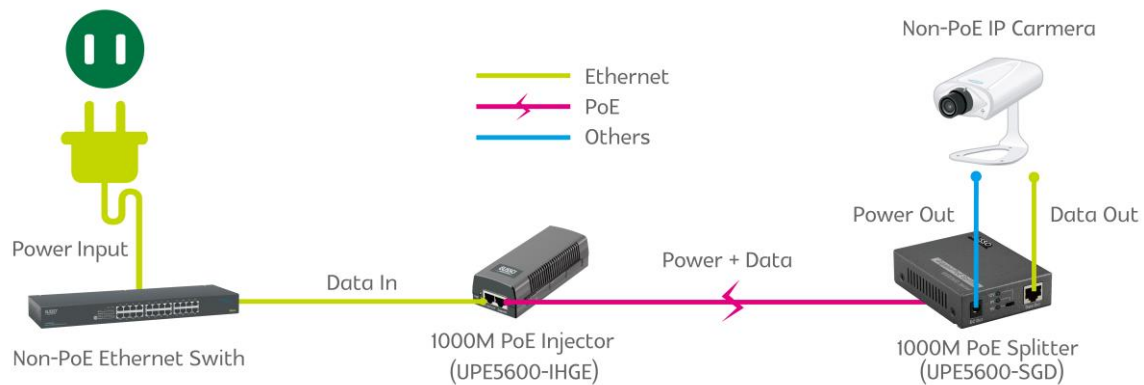
The advantage of PoE function is to provide power and data over existing network cables. It eliminates the need for electricians or extension cords while installing new expanding equipments. Therefore, UPE5600-IHGE can save space, reduce cables and eliminate the requirement for the dedicated electrical outlets to lower the installation cost. This PoE technology is suitable for small business, school campus, bookstore, coffee shop with internet hot spot, or enterprise network environments.

SPECIFICATIONS

System Specifications	
Ethernet Standard	IEEE802.3 10BASE-T IEEE802.3u 100BASE-TX IEEE802.3ab 1000BASE-T IEEE802.3x Full duplex operation and flow control IEEE802.3at/af Power over Ethernet
Interface	1 x RJ-45 Ethernet-IN Port (Data only) 1 x RJ-45 PoE-Out Port (Data and Power)
Power	Input : 100 ~ 240V, 50-60Hz Output : 52VDC at full load PoE Power : 30 Watt Maximum
Ping Assignment & Polarity	1/2 (+), 3/6 (-)
Network Speed	10/100/1000Mbps Full/Half duplex mode auto detection
Diagnostic LED	Power 、 PoE
Cable Connection	10Mbps : UTP/STP Catalog 3 or Better, Max. 100 Meters 100Mbps : UTP/STP Catalog 5 or Better, Max. 100 Meters 1000Mbps : UTP/STP Catalog 5e, 6 or better, Max. 100 Meters
Filtering / Forwarding Rate	10Mbps : 14,880pps/14,880pps 100Mbps : 148,800pps/148,800pps 1000Mbps : 1,488,100pps
Installation	Parallel slide-in design to ease the installation
Operating Temperature	-10° ~ 45°C
Operation Humidity	5% ~ 95% (non-condensing)
Dimension	144 (L) x 60 (W) x 40 (H) mm
Weight	350g (Net)
Emission Certification	EN 60950:2006

Application Diagram

1-Port 30W High Power PoE Injector Application Diagram



UPE5600-IHGE is a high power PoE Injector that delivers up to 30 watts over existing LAN cable to power up PoE PD devices for power hungry applications such as Wireless Access Points (AP), Security Cameras and IP Phones at farther distance.

ORDERING INFORMATIONS

Model	Description
UPE5600-IHGE	1-Port 10/100/1000Mbps 30W High Power PoE Injector (PD Detection)
UPE5600-SGD	1-port 10/100/1000Mbps 24W High Power Splitter

EUSSO Technologies, Inc. is a dedicated data communication and networking company. With professional experiences in design, production, marketing and service support, we deliver the full range networking products including Gigabit Ethernet, Fiber Optic, Wireless LAN, Switches, Hubs, LAN cards, PCMCIA adapters, Converter, Transceivers. As well as Internet Telephony Gateway, Print Servers, Internet Sharing Servers and many others.

2014/7/1 ver 1.0F



EUSSO Technologies, Inc.
7F-3, No 268 Liancheng Rd., Zhonghe Dist. 235-58 Taiwan

TEL : +886 (2) 8227-8032
FAX : +886 (2) 8227-8899

E-mail : sales@eusso.com
http://www.eusso.com